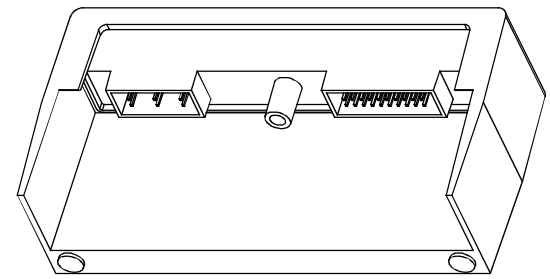
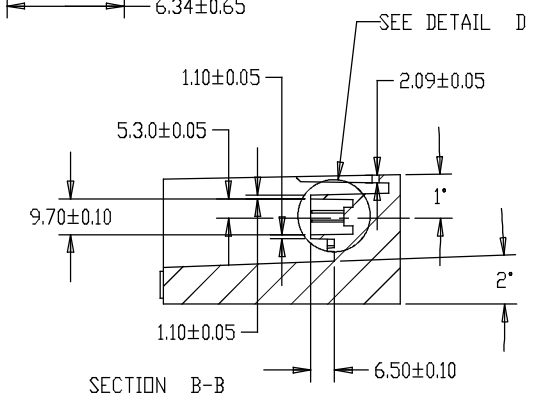
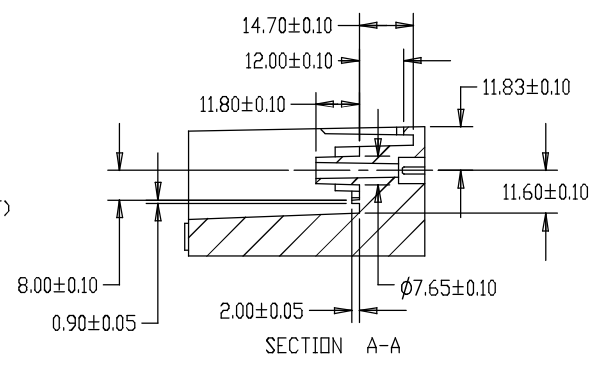
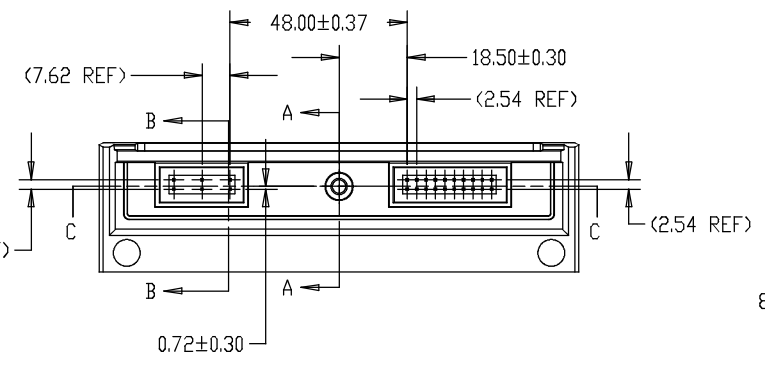
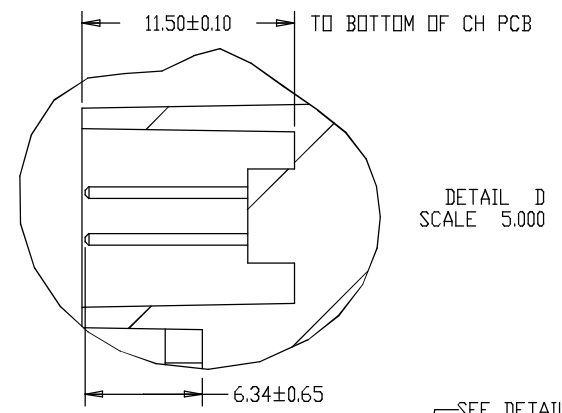
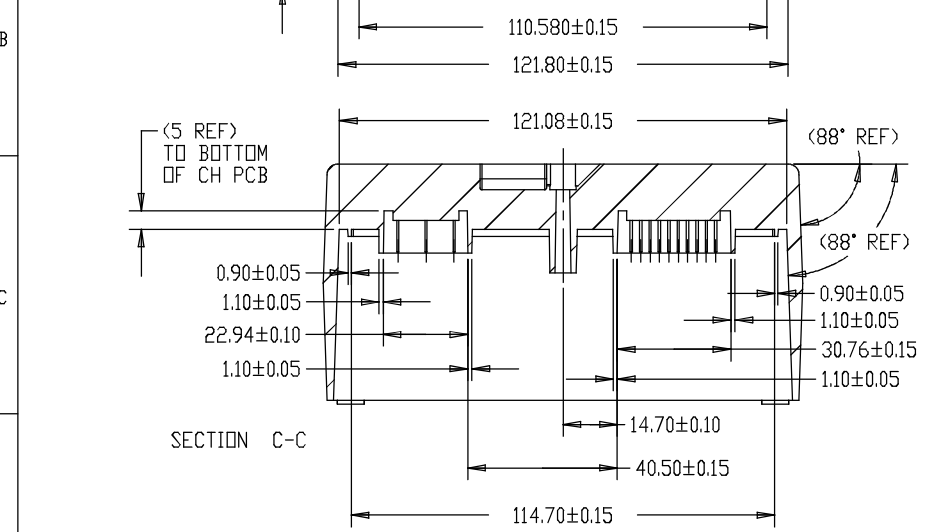


ZONE		REV	REVISION DESCRIPTION	BY	DATE (DD-MM-YY)
D1,D2,D3, E1,E2,E4, C7		P8	Tolerances updated (18.50±0.30 was ±0.05, 0.72±0.30 was ±0.05, 48.00±0.37 was ±0.15), header pin spacing now REF dimensions (4 places), Detail D View added	G.W.T.	14/02/2014



ALL DRAFT ANGLES 1°  
UNLESS OTHERWISE NOTED



ALL DIMENSIONS ARE IN MILLIMETRES.			TITLE																	
GENERAL TOLERANCES: (UNLESS OTHERWISE SPECIFIED)			ICHIS DEVICE SIDE																	
<table border="1"> <thead> <tr> <th></th> <th>LINEAR</th> <th>ANGULAR</th> </tr> </thead> <tbody> <tr> <td>X</td> <td>±0.5</td> <td>±0.5°</td> </tr> <tr> <td>XX</td> <td>±0.2</td> <td></td> </tr> <tr> <td>XXX</td> <td>±0.1</td> <td></td> </tr> <tr> <td>XXX</td> <td>±0.05</td> <td></td> </tr> </tbody> </table>				LINEAR	ANGULAR	X	±0.5	±0.5°	XX	±0.2		XXX	±0.1		XXX	±0.05		DRAWING NO. RD0134-MA-20_A1_P8		
	LINEAR	ANGULAR																		
X	±0.5	±0.5°																		
XX	±0.2																			
XXX	±0.1																			
XXX	±0.05																			
DRAFTED BY	G.W.T.	18-11-13	3RD ANGLE PROJECTION		SHEET SIZE A2															
DESIGNED BY	XXX	DD-MM-YY	DRAWING NO. RD0134-MA-20_A1_P8																	
CHECKED BY	XXX	DD-MM-YY	3D MODEL:																	
APPROVED BY	XXX	DD-MM-YY	SCALE: 1:100 SHEET 1 OF 1 REV:																	