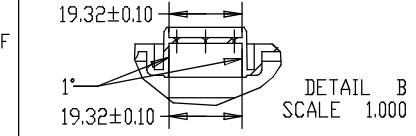
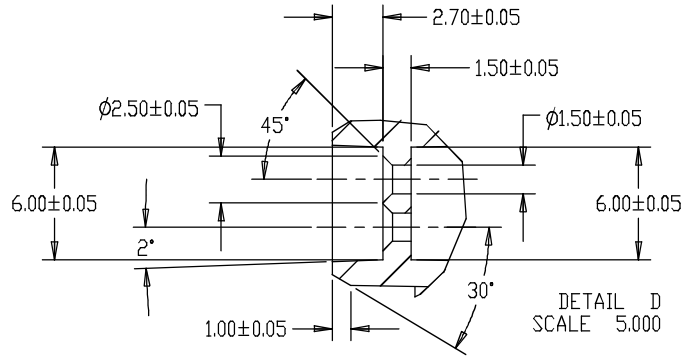
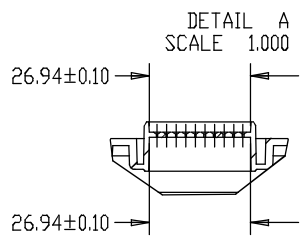
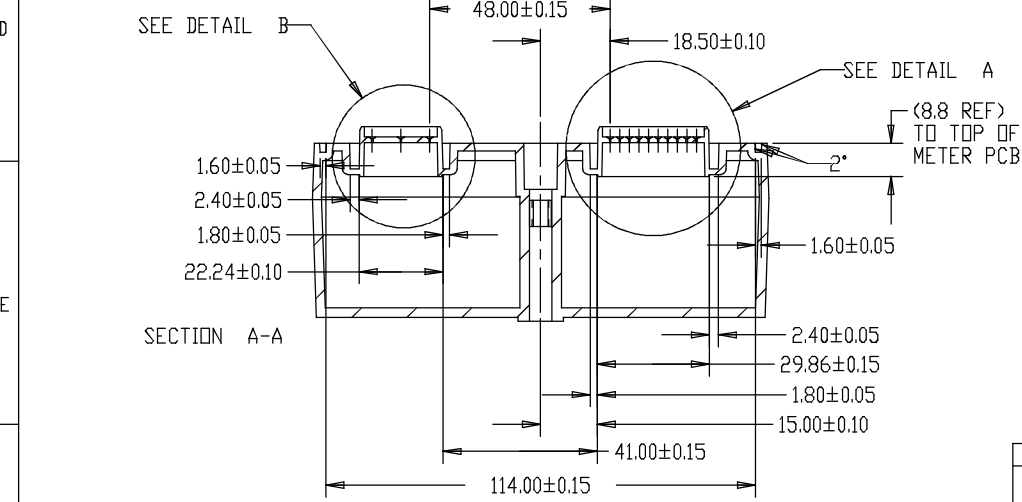
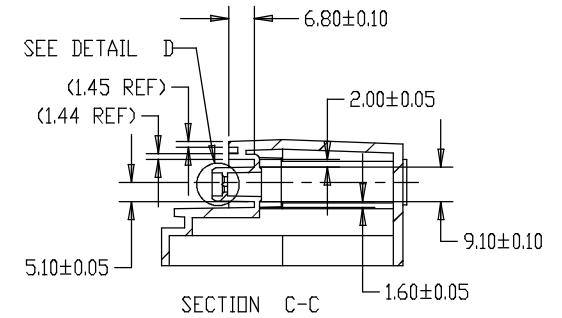
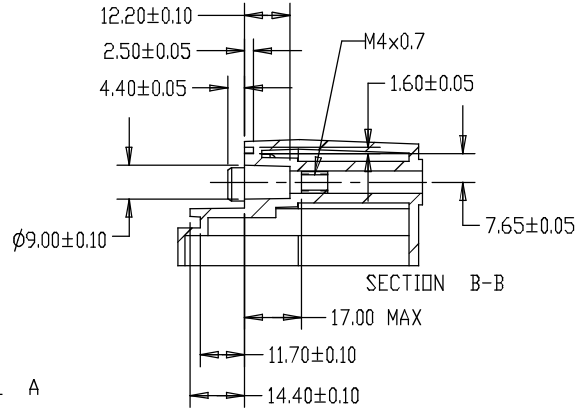
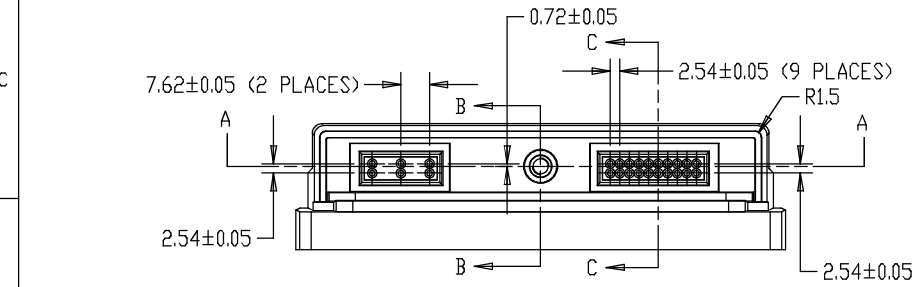
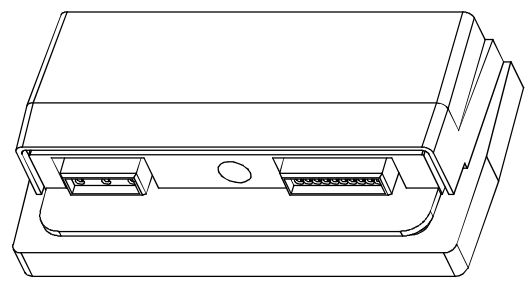
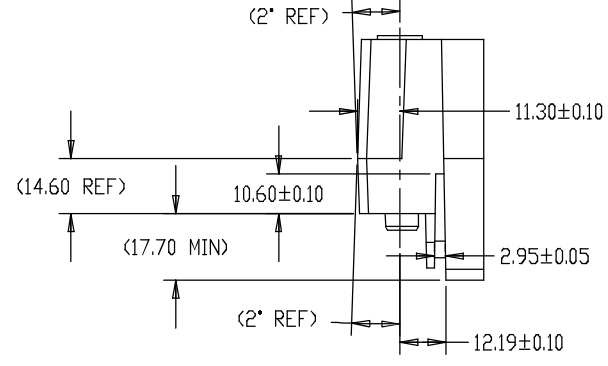
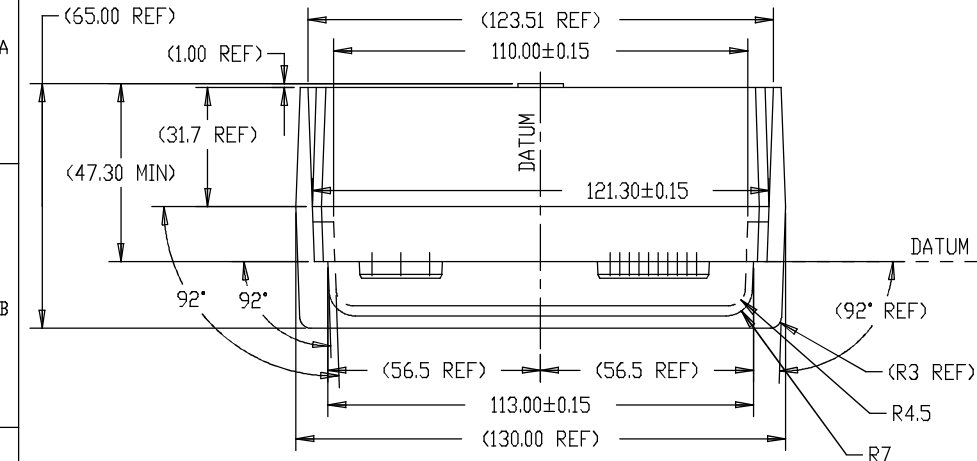


ALL DRAFT ANGLES 1° UNLESS OTHERWISE NOTED

REVISION				
ZONE	REV	DESCRIPTION	BY	DATE (DD-MM-YY)
B1,B4,B5	P9	47.3 MIN was 47.3 REF, REF added to angle dimensions in 3 places, 17.70 MIN was 17.70±0.10	G.W.T.	07/02/2014



ALL DIMENSIONS ARE IN MILLIMETRES.		
GENERAL TOLERANCES: (UNLESS OTHERWISE SPECIFIED)		
	LINEAR	ANGULAR
X	±0.5	±0.5°
XX	±0.2	
XXX	±0.1	
X.XXX	±0.05	

DRAFTED BY	G.W.T.	14-11-13
DESIGNED BY	XXX	DD-MM-YY
CHECKED BY	XXX	DD-MM-YY
APPROVED BY	XXX	DD-MM-YY

TITLE		ICHIS HOST SIDE	
3RD ANGLE PROJECTION		DRAWING NO.	RD0134-MA-19_A1_P9
SCALE: 1.000	SHEET: 1 OF 2	3D MODEL:	RD0134-MA-19_A1_P9 REV: P8
			SHEET SIZE: A2