

# INITIAL ENROLMENT PROJECT FEASIBILITY REPORT

## DCC CONSULTATION – INDUSTRY EVENT

December 2016



# APPROACH TO COSTS

Currently energy suppliers are incurring costs for data and communications services for SMETS1 meters.

- Much of the cost in the IEPFR reflects the costs of DCC taking on these services, rather than these being new costs.
- The costs, wherever possible, are based on values that have been communicated to us by energy suppliers
- Elsewhere we have used wider industry information and experience to estimate costs
- Each set of options has a wider range of costs associated with them; The wide range is due to the radically different supply chains within the options
- Our cost base has been put in the same terms as the recently published BEIS cost benefit analysis (CBA)
- The CBA includes a provision for the cost of building and operating a DCC SMETS 1 enrolment solution

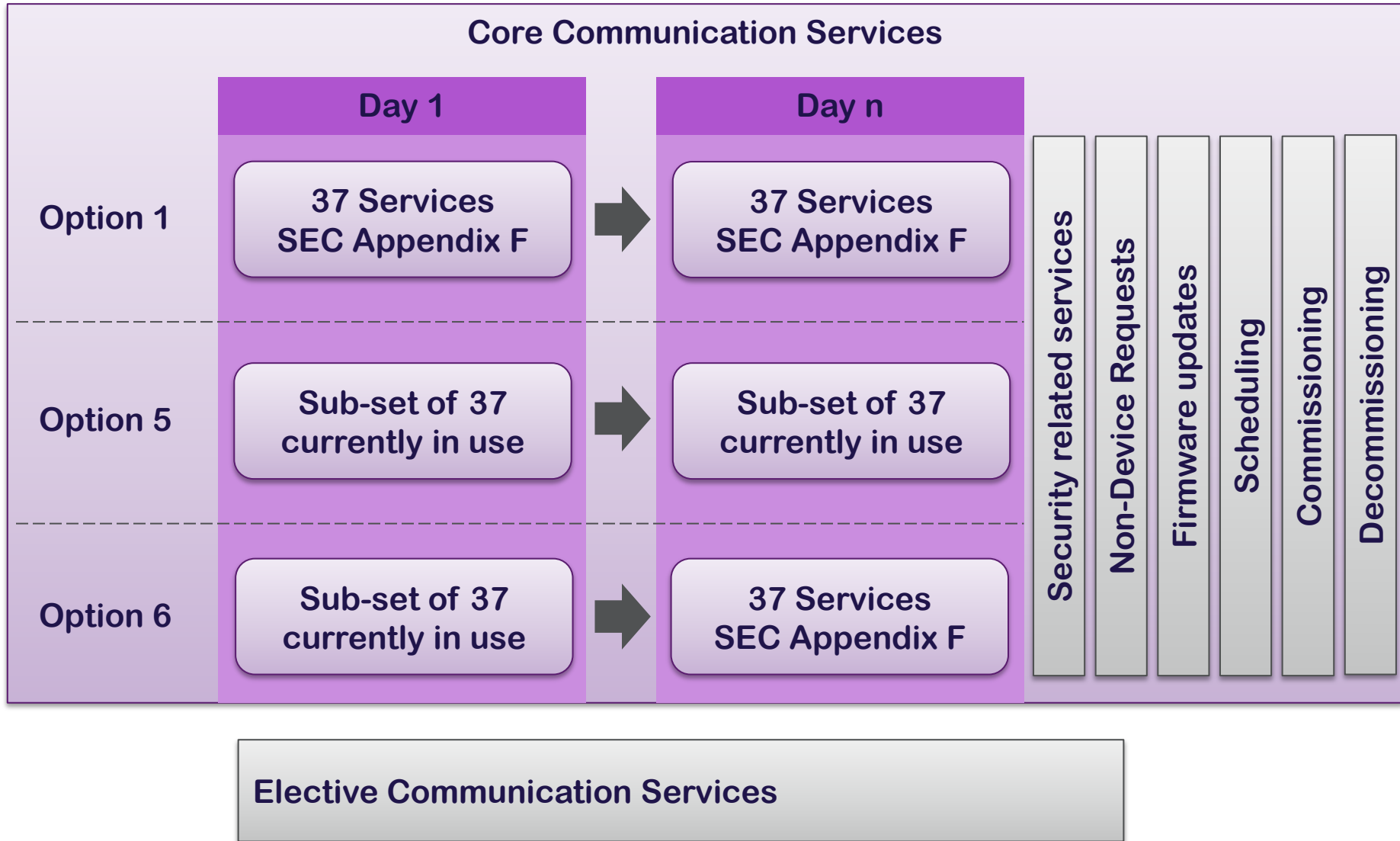
# APPROACH TO COSTS

## Questions and clarifications:

- How have costs been assessed?
- Overall costs of the project?
- Why doesn't the IEPFR cost model include industry costs?
- Approach to charging



# SMETS1 COMMUNICATION SERVICES



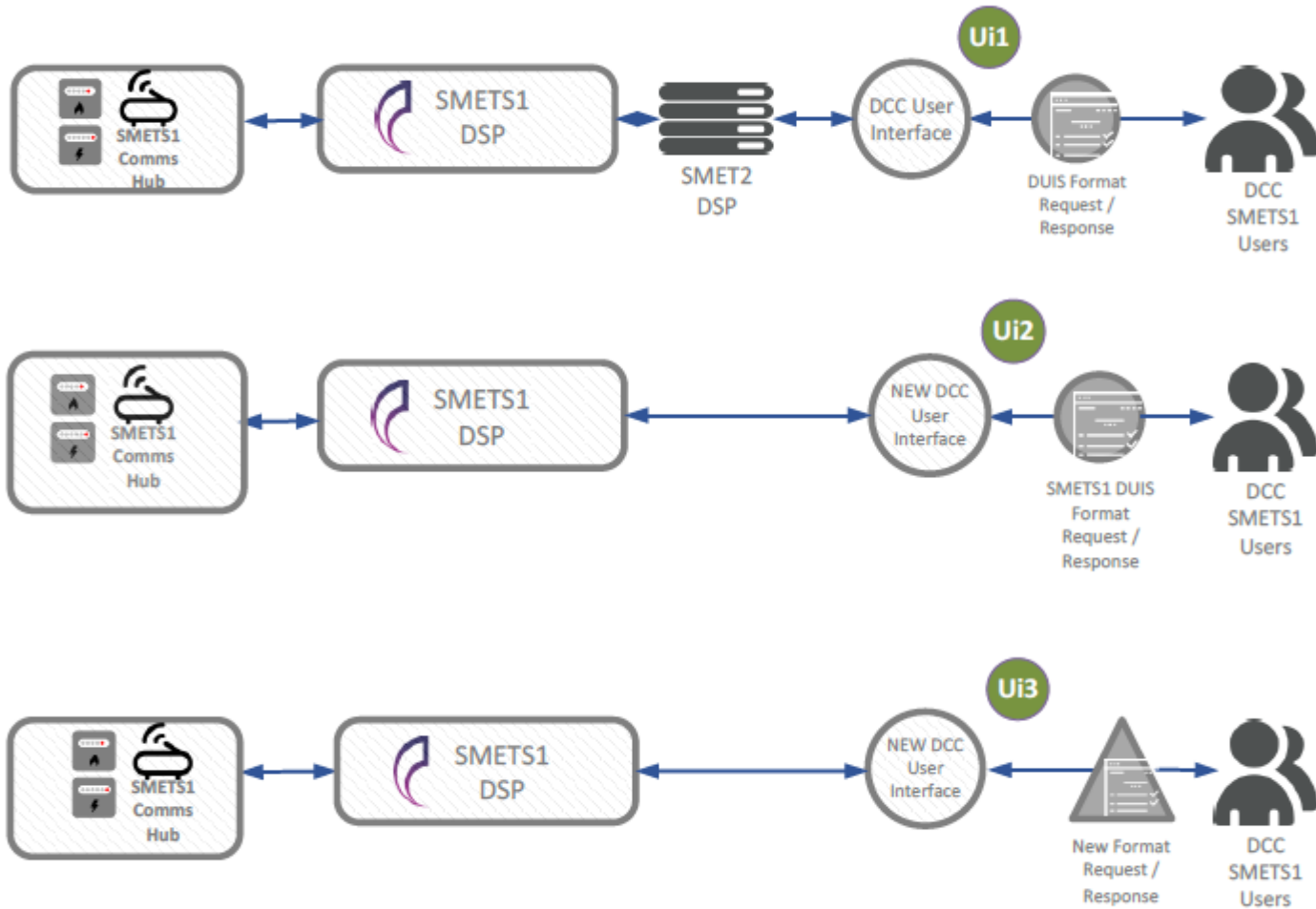
# SMETS1 SERVICES

## Questions and clarifications:

- Utilisation of security related Service Requests (SRs)?
- Use of existing SMETS1 SMSO message formats
- How will enrolment work – will there be enrolment SRs?
- Is there a need to create a dedicated SMETS1 use cases?



# USER INTERFACE OPTIONS



# USER INTERFACE OPTIONS

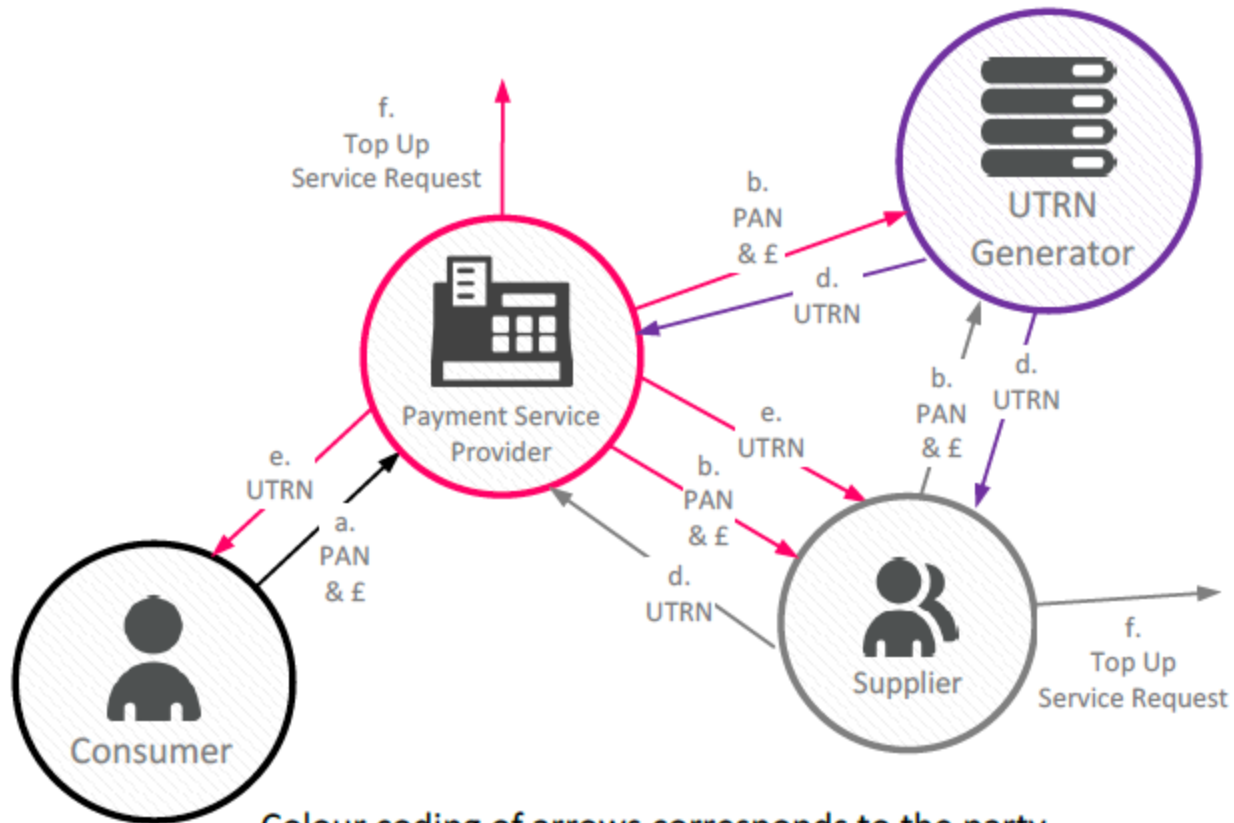
## Questions and clarifications:

- **Hosting of SMETS2 DSP interface based on new SMETS1 message format?**
- **Use of the DCC User Gateway**



# PREPAYMENT

## UTRN Generation Option 1

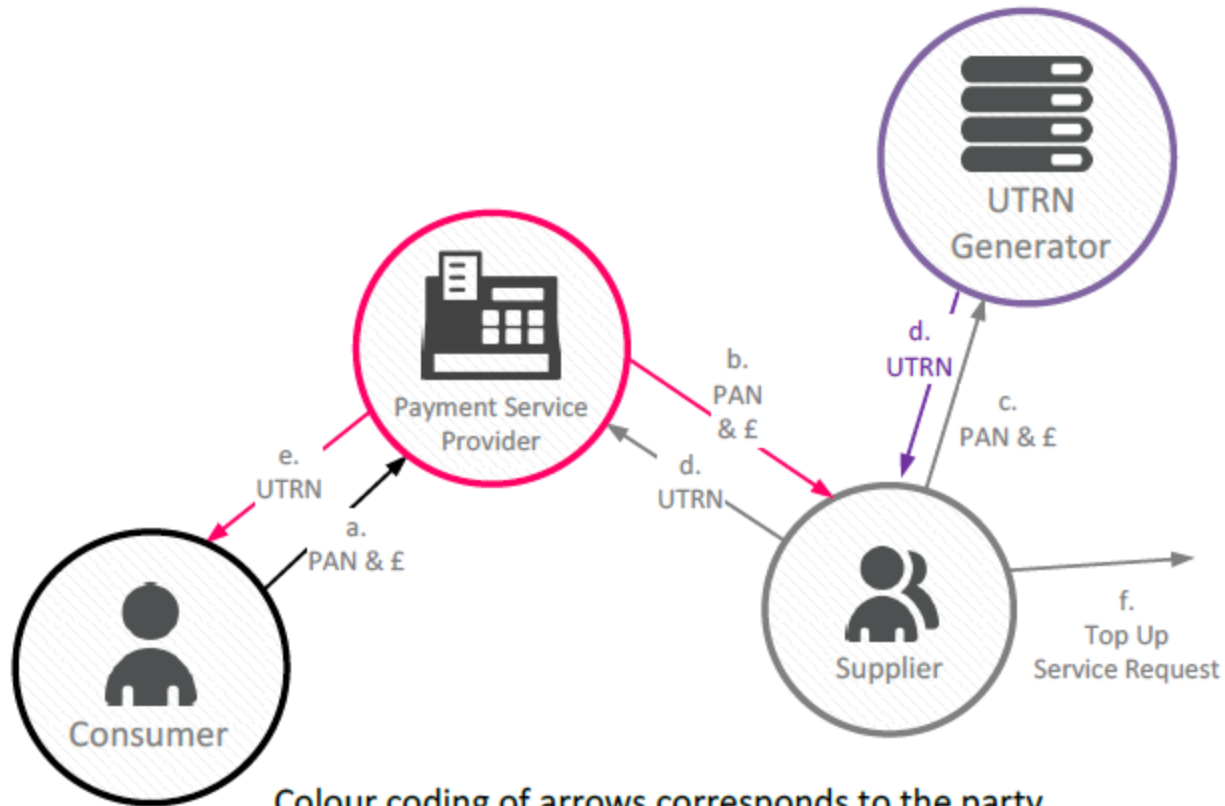


Colour coding of arrows corresponds to the party providing the data specified in the arrow's caption



# PREPAYMENT

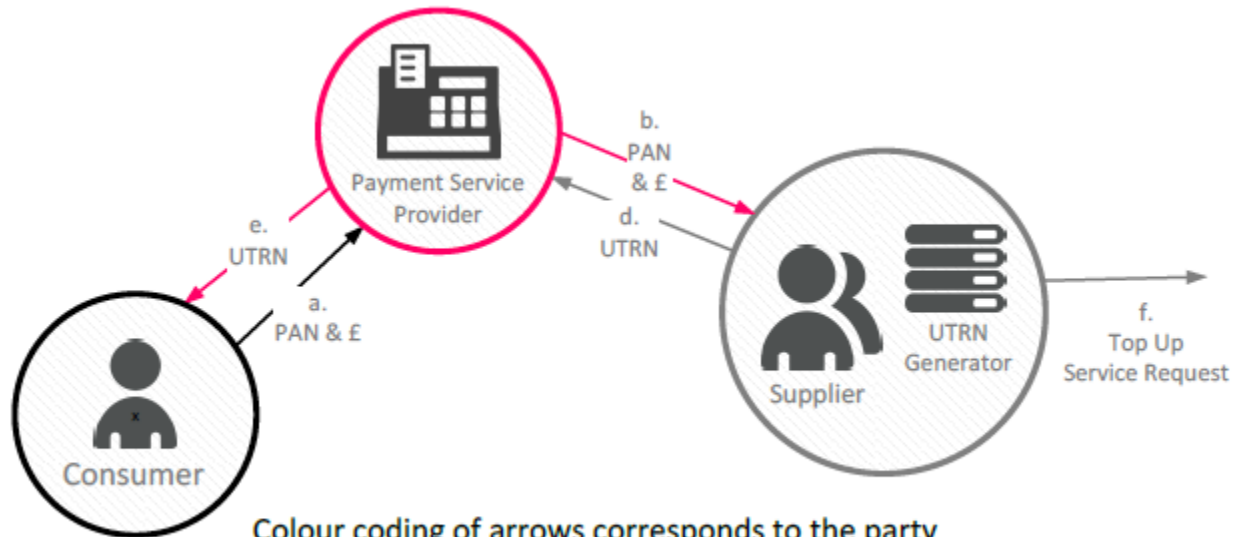
## UTRN Generation Option 2



Colour coding of arrows corresponds to the party providing the data specified in the arrow's caption

# PREPAYMENT

## UTRN Generation Option 3



Colour coding of arrows corresponds to the party providing the data specified in the arrow's caption

# PREPAYMENT

## Questions and clarifications:

- Any special provisions and approaches for enrolment of PPM meters?
- Interoperability plans regarding COS?
- Eco-system roles and responsibilities.
- PPM related timescales, obligations and restrictions.



# COMMERCIAL STRATEGY

The high level commercial challenge is to develop a commercial strategy that will support the economic and efficient development, implementation and on-going support of a DCC SMETS1 Service without adversely impacting on the SMETS2 Infrastructure.

DCC needs to ensure the timely delivery of the Service to fulfil licence commitments to promote

- value for money
- non-discrimination
- Transparency

The Report sets out procurement Requirements in relation to:

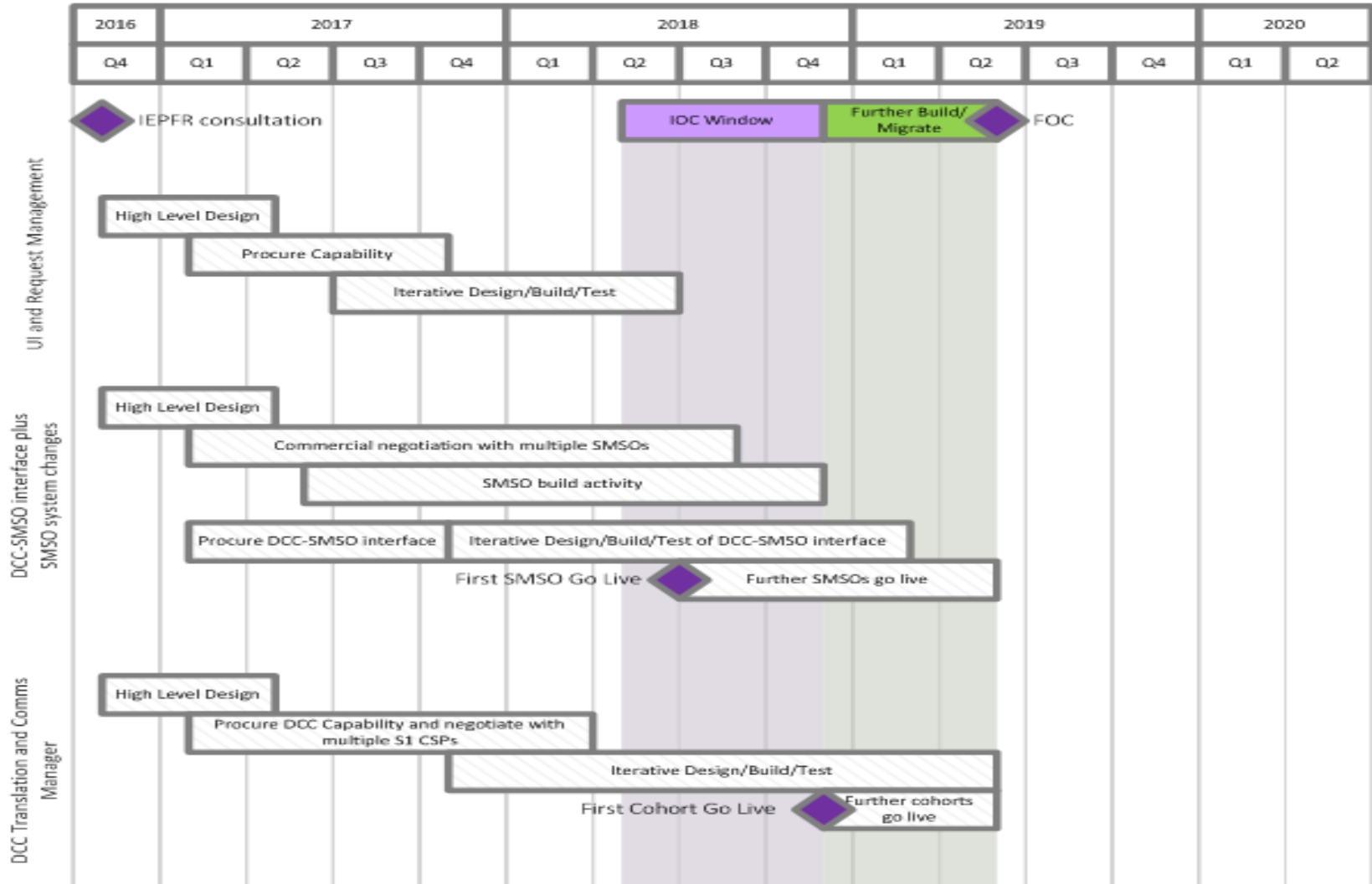
- Change Requests for existing SMETS2 Suppliers
- Adopted Contracts
- New Contracts

# COMMERCIAL STRATEGY

Questions and clarifications:



# IMPLEMENTATION TIMELINE



# IMPLEMENTATION

## Questions and clarifications:

- What is the next phase and when does it start?
- What about further industry engagement (e.g. on tech changes)?
- What about additional enrolment projects?
- Any existing solutions identified for technical integration yet?
- Will meter manufacturers have any direct obligations ?
- Will manufacturers be required to provide FW updates before adoption?
- What about SMETS1 testing?
- Will SMETS1 adoption be mandatory or voluntary for suppliers ?
- Assurance re SMETS1 compliance?



# THANK YOU!

- DCC will share slides and a summary of Q&A
- We'll accept further questions up to 16 Dec 2016

Please send to: [enrolment.adoption@smartdcc.co.uk](mailto:enrolment.adoption@smartdcc.co.uk)

All Q&A will be made available in early January 2017

- Consultation Closes – 20 January 2016

*Early responses would be most welcome!*

- Please send to: [contact@smartdcc.co.uk](mailto:contact@smartdcc.co.uk)